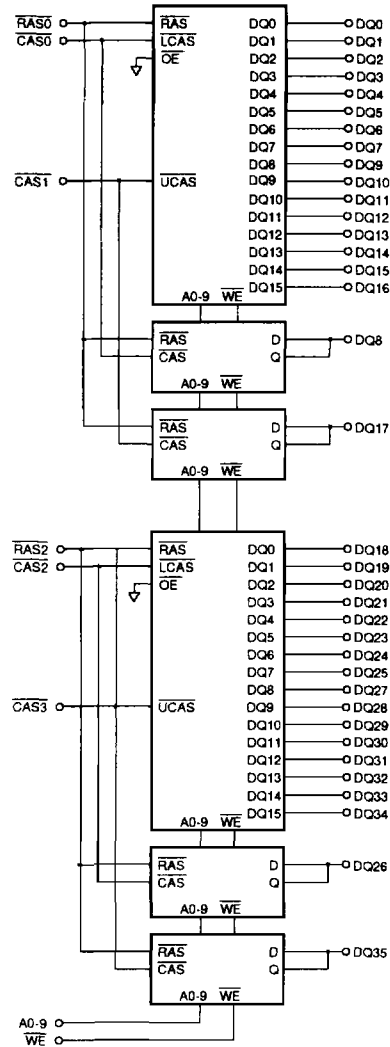




**PIN NAME**

#	NAME	#	NAME
1	Vss	37	DQ17
2	DQ0	38	DQ35
3	DQ18	39	Vss
4	DQ1	40	CAS0
5	DQ19	41	CAS2
6	DQ2	42	CAS1
7	DQ20	43	CAS1
8	DQ3	44	RAS0
9	DQ21	45	NC
10	Vcc	46	NC
11	NC	47	WE
12	A0	48	NC
13	A1	49	DQ9
14	A2	50	DQ27
15	A3	51	DQ10
16	A4	52	DQ28
17	A5	53	DQ11
18	A6	54	DQ29
19	NC	55	DQ12
20	DQ4	56	DQ30
21	DQ22	57	DQ13
22	DQ5	58	DQ31
23	DQ23	59	Vcc
24	DQ6	60	DQ32
25	DQ24	61	DQ14
26	DQ7	62	DQ33
27	DQ25	63	DQ15
28	A7	64	DQ34
29	NC	65	DQ16
30	Vcc	66	NC
31	A8	67	PD1
32	A9	68	PD2
33	NC	69	PD3
34	RAS2	70	PD4
35	DQ26	71	NC
36	DQ8	72	Vss

**BLOCK DIAGRAM**



**PRESENCE DETECT PINS**

PIN	-60	-70	-80
PD1	Vss	Vss	Vss
PD2	Vss	Vss	Vss
PD3	NC	Vss	NC
PD4	NC	NC	Vss

**ABSOLUTE MAXIMUM RATINGS**

SYMBOL	PARAMETER	RATING	UNIT
TA	Ambient Temperature	0 to 70	°C
TSTG	Storage Temperature	-55 to 150	°C
VIN, VOUT	Voltage on Any Pin Relative to Vss	-1.0 to 7.0	V
Vcc	Voltage on Vcc Relative to Vss	-1.0 to 7.0	V
Ios	Short Circuit Output Current	50	mA
Pd	Power Dissipation	5.6	W

NOTE : Operation at or above Absolute Maximum Ratings can adversely affect device reliability.

**RECOMMENDED DC OPERATING CONDITIONS**

(TA= 0°C to 70°C)

SYMBOL	PARAMETER	MIN.	TYP.	MAX.	UNIT
Vcc	Supply Voltage	4.5	5.0	5.5	V
VIH	Input High Voltage	2.4	-	Vcc+ 1.0	V
VIL	Input Low Voltage	-1.0	-	0.8	V

NOTE : All voltages are referenced to Vss.

**DC CHARACTERISTICS**

(TA= 0°C to 70°C, VCC= 5V± 10%, VSS= 0V, unless otherwise noted.)

SYMBOL	PARAMETER	TEST CONDITIONS	SPEED/ POWER	MIN.	MAX.	UNIT	NOTE
ILI	Input Leakage Current (Any Input Pin)	VSS ≤ VIN ≤ VCC+ 1.0, All other pins not under test= VSS		-60	60	μA	
ILO	Output Leakage Current (High Impedance State)	VSS ≤ VOUT ≤ VCC, RAS & CAS		-10	10	μA	
ICC1	VCC Supply Current, Operating	tRC= tRC (min.)	60 70 80	-	660 600 540	mA	1,2,3
ICC2	VCC Supply Current, TTL Standby	RAS & CAS at VIH, other inputs ≥ VSS		-	12	mA	
ICC3	VCC Supply Current, RAS-only refresh	tRC= tRC (min.)	60 70 80	-	660 600 540	mA	1,3
ICC4	VCC Supply Current, Fast Page mode	tPC= tPC (min.)	60 70 80	-	560 500 360	mA	1,2,3
ICC5	VCC Supply Current, CMOS Standby	RAS & CAS ≥ VCC-0.2V	L-part	-	6 1.4	mA	5
ICC6	VCC Supply Current, CAS-before-RAS refresh	tRC= tRC (min.)	60 70 80	-	660 600 540	mA	1,3
ICC7	VCC Supply Current, Battery Back Up (L-part only)	tRC= 250μs, CAS= CBR cycling or 0.2V WE= VCC-0.2V A0-A9= VCC-0.2V or 0.2V DQ0-DQ35= VCC-0.2V, 0.2V, or open	tRAS ≤ 300ns  tRAS ≤ 1μs	-	1.9  2.5	mA	1,4,5
VOL	Output Low Voltage	IOL= 4.2mA		-	0.4	V	
VOH	Output High Voltage	IOH= -5mA		2.4	-	V	

**NOTE :**

1. ICC1, ICC3, ICC4, ICC6 and ICC7 depend on cycle rate.
2. ICC1, ICC3, ICC4 and ICC6 depend on output loading. Specified values are obtained with the output open.
3. ICC is specified as average current. for ICC1, ICC3 and ICC6, address can be changed maximum two times while RAS= VIL. for ICC4, address can be changed maximum once while CAS= VIH.
4. Only tRAS(max.)= 1μs is applied to refresh of battery backup but tRAS(max.)= 10μs is applied to normal functional operation.
5. ICC5(max.)= 1.4mA and ICC7 are applied to L-part only (HYM536120ALW and HYM536120ALWG).

**AC CHARACTERISTICS**

(TA= 0°C to 70°C, VCC= 5V± 10%, VSS= 0V, unless otherwise noted.) NOTE : 1, 2, 3

#	SYMBOL	PARAMETER	HYM536120AW-Series						UNIT	NOTE
			60		-70		-80			
			MIN.	MAX.	MIN.	MAX.	MIN.	MAX.		
1	trc	Random Read or Write Cycle Time	110	-	130	-	150	-	ns	
2	trpc	RAS to CAS Precharge Time	5	-	5	-	5	-	ns	
3	tpc	Fast Page Mode Cycle Time	40	-	40	-	50	-	ns	
4	trhcp	RAS Hold Time from CAS Precharge	40	-	40	-	50	-	ns	
5	trac	Access Time from RAS	-	60	-	70	-	80	ns	5,10,11
6	tcac	Access Time from CAS	-	15	-	20	-	20	ns	5,10
7	tAA	Access Time from Column Address	-	30	-	35	-	40	ns	5,11
8	tCPA	Access Time from CAS Precharge	-	35	-	35	-	45	ns	5
9	tCLZ	CAS to Output Low Impedance	0	-	0	-	0	-	ns	5
10	tOFF	Output Buffer Turn-off Delay	0	15	0	15	0	15	ns	6
11	tT	Transition Time (Rise and Fall)	3	50	3	50	3	50	ns	4
12	trp	RAS Precharge Time	40	-	50	-	60	-	ns	
13	trAS	RAS Pulse Width	60	10K	70	10K	80	10K	ns	
14	trASP	RAS Pulse Width (Fast Page Mode)	60	100K	70	100K	80	100K	ns	
15	trSH	RAS Hold Time	15	-	20	-	20	-	ns	
16	tCSH	CAS Hold Time	40	-	50	-	60	-	ns	
17	tCAS	CAS Pulse Width	15	10K	15	10K	20	10K	ns	
18	trCD	RAS to CAS Delay	15	45	20	50	20	60	ns	10
19	trAD	RAS to Column Address Delay Time	15	30	15	35	15	40	ns	11
20	tCRP	CAS to RAS Precharge Time	5	-	5	-	5	-	ns	
21	tCP	CAS Precharge Time	10	-	10	-	10	-	ns	
22	tASR	Row Address Set-up Time	0	-	0	-	0	-	ns	
23	trAH	Row Address Hold Time	10	-	10	-	10	-	ns	
24	tASC	Column Address Set-up Time	0	-	0	-	0	-	ns	
25	tCAH	Column Address Hold Time	10	-	15	-	15	-	ns	
26	tAR	Column Address Hold Time from RAS	55	-	55	-	60	-	ns	
27	trAL	Column Address to RAS Lead Time	30	-	35	-	40	-	ns	
28	trCS	Read Command Set-up Time	0	-	0	-	0	-	ns	
29	trCH	Read Command Hold Time Referenced to CAS	0	-	0	-	0	-	ns	7
	30	tRRH Read Command Hold Time Referenced to RAS	0	-	0	-	0	-	ns	7
31	twCH	Write Command Hold Time	15	-	15	-	15	-	ns	
32	twCR	Write Command Hold Time from RAS	55	-	55	-	60	-	ns	
33	tWP	Write Command Pulse Width	10	-	10	-	10	-	ns	
34	trWL	Write Command to RAS Lead Time	20	-	20	-	20	-	ns	
35	tcWL	Write Command to CAS Lead Time	20	-	20	-	20	-	ns	
36	tDS	Data-In Set-up Time	0	-	0	-	0	-	ns	8
37	tDH	Data-In Hold Time	15	-	15	-	15	-	ns	8
38	tDHR	Data-In Hold Time Referenced to RAS	55	-	55	-	60	-	ns	
39	tREF	Refresh Period (1024 cycles)		16		16		16	ms	
		L-PART	-	256	-	256	-	256		12
40	twCS	Write Command Set-up Time	0	-	0	-	0	-	ns	9

**AC CHARACTERISTICS**

(continued)

#	SYMBOL	PARAMETER	HYM536120AW-Series						UNIT	NOTE
			-60		-70		-80			
			MIN.	MAX.	MIN.	MAX.	MIN.	MAX.		
41	tCSR	CAS Set-up Time (CBR Cycle)	5	-	5	-	5	-	ns	
42	tCHR	CAS Hold Time (CBR Cycle)	10	-	10	-	10	-	ns	
43	tCPT	CAS Precharge Time (CBR Counter Test)	30	-	35	-	40	-	ns	
44	tWRP	WE to RAS Precharge Time (CBR Cycle)	10	-	10	-	10	-	ns	
45	tWRH	WE to RAS Hold Time (CBR Cycle)	10	-	10	-	10	-	ns	
46	tRASS	RAS Pulse Width (Self Refresh Cycle)	100	-	100	-	100	-	ns	
47	tRPS	RAS Precharge Time (Self Refresh Cycle)	110	-	130	-	150	-	ns	
48	tCHS	CAS Hold Time (Self Refresh Cycle)	50	-	50	-	50	-	ns	

**NOTE :**

1. An initial pause of 200 $\mu$ s is required after power-up followed by 8 RAS cycles before proper device operation is achieved. In case of using internal refresh counter, a minimum of 8 CAS-before-RAS initialization cycles instead of 8 RAS-only refresh cycles are required. The device should be carefully initialized to be prevented from being entered into multi bit test mode.
2. If RAS= Vss during power-up, the HYM536120A could begin an active cycle. This condition results in higher power-up current than necessary demands from the power-up. It is recommended that RAS and CAS track with Vcc during power-up or be held at a valid VIH in order to minimize the power-up current.
3. VIH(min.) and VIL(max.) are reference levels for measuring timing of input signals. Transition time is measured between VIH and VIL and assumed to be 5ns for all inputs.
4. Refer to the HY531000A and HY5118160B data sheet for detailed information.
5. Measured with a load equivalent to 2 TTL loads and 100pF.
6. toFF(max.) defines the time at which the output achieves the open circuit condition and is not referenced to output voltage levels.
7. Either trCH or trRH must be satisfied for a read cycle.
8. These parameters are referenced to CAS leading edge in early write cycles.
9. twCS is not a restrictive operating parameter. It is included in the data sheet as electrical characteristics only. If twCS  $\geq$  twCS(min.), the cycle is an early write cycle and data out pin will remain open circuit (high impedance) through the entire cycle.
10. Operation within the trCD(max.) limit insures that trAC(max.) can be met. trCD(max.) is specified as a reference point only. If trCD is greater than the specified trCD(max.) limit, then access time is controlled by tCAC.
11. Operation within the trAD(max.) limit insures that trAC(max.) can be met. trAD(max.) is specified as a reference point only. If trAD is greater than the specified trAD(max.) limit, then access time is controlled by tAA.
12. tREF(max.)= 256ms is applied to L-part only (HYM536120ALW and HYM536120ALWG).

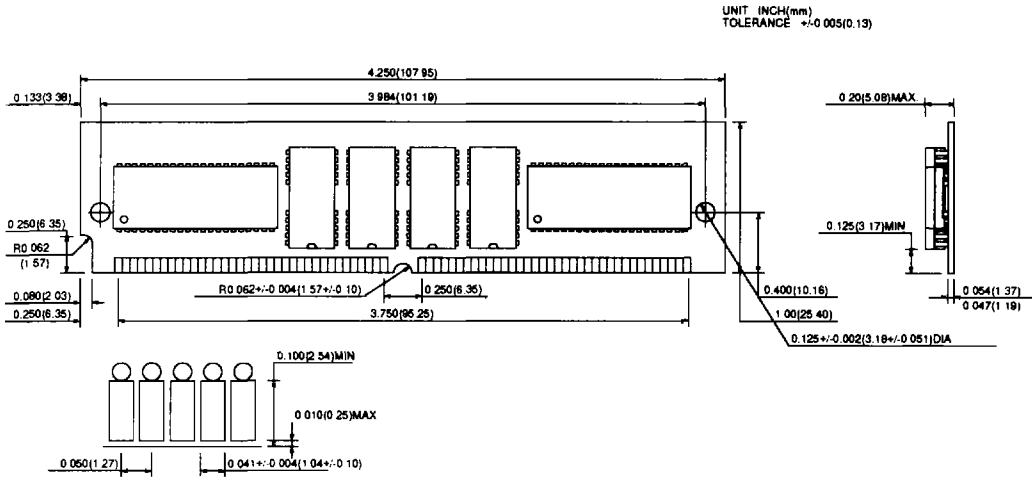
**CAPACITANCE**

(TA= 25°C, VCC= 5V $\pm$  10%, VSS= 0V, f= 1MHz, unless otherwise noted.)

SYMBOL	PARAMETER	TYP.	MAX.	UNIT
CIN1	Input Capacitance (A0-A9)	-	36	pF
CIN2	Input Capacitance (WE)	-	51	pF
CIN3	Input Capacitance (RAS0, RAS2)	-	51	pF
CIN4	Input Capacitance (CAS0-CAS3)	-	20	pF
CDQ	Data Input/Output Capacitance (DQ0-DQ35)	-	51	pF

PACKAGE INFORMATION

72 pin Single In-line Memory Module (W ; Tin-Lead plated, WG ; Gold plated)





**ORDERING INFORMATION**

<b>PART NUMBER</b>	<b>SPEED</b>	<b>POWER</b>	<b>PACKAGE</b>	<b>PLATING</b>
HYM536120W	60/70/80		SIMM	Tin-Lead
HYM536120LW	60/70/80	L-part	SIMM	Tin-Lead
HYM536120WG	60/70/80		SIMM	Gold
HYM536120LWG	60/70/80	L-part	SIMM	Gold